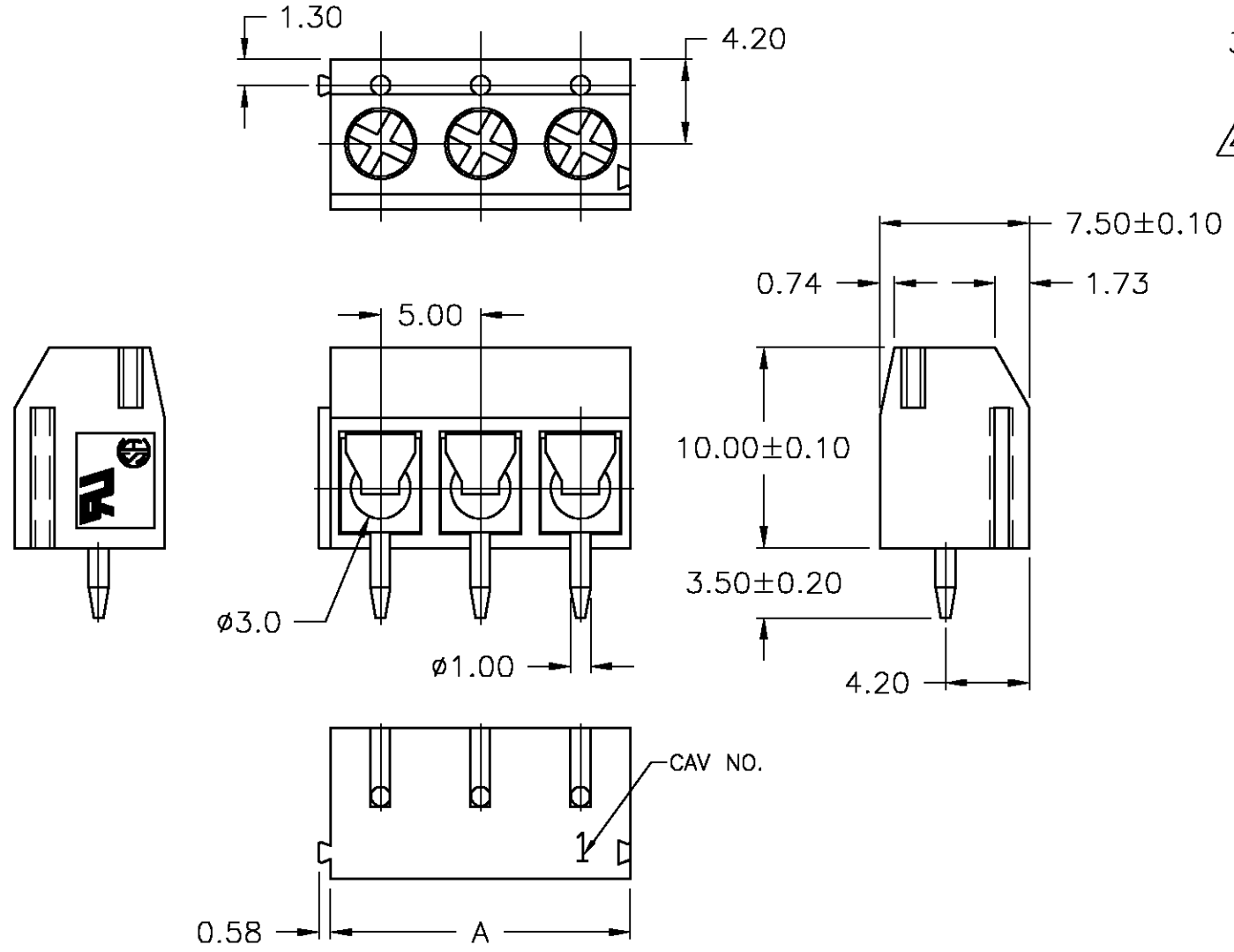


THIS DRAWING IS UNPUBLISHED. RELEASED FOR PUBLICATION
 © COPYRIGHT BY TYCO ELECTRONICS CORPORATION. ALL RIGHTS RESERVED.

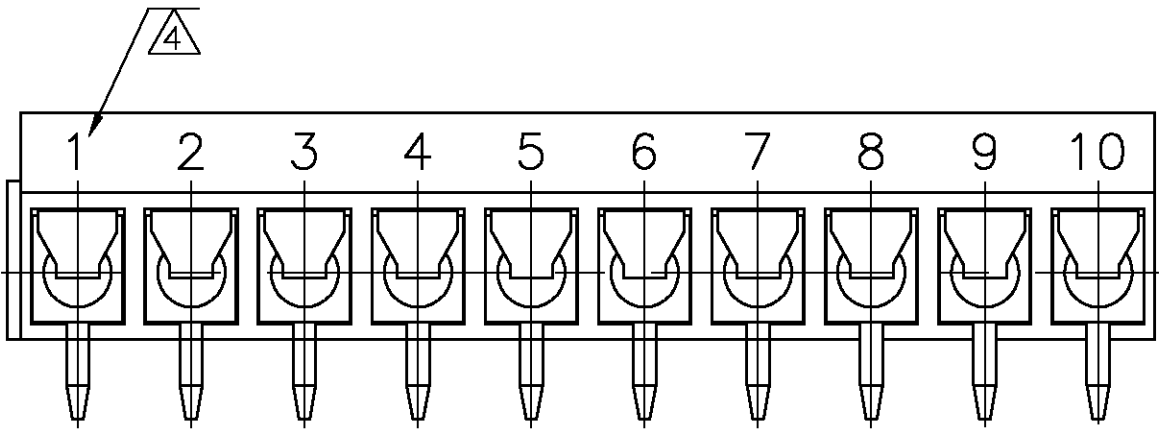
| LOC | DIST | REVISIONS | | | | | |
|-----|------|-----------|-----|--------------------------|--------|-----|------|
| FT | 0 | P | LTR | DESCRIPTION | DATE | DWN | APVD |
| | | | C | REVISED PER 0G3B-0599-03 | 8/1/03 | SS | CR |

- NOTES:
1. ALL DIMENSIONS ARE IN MM.
 2. RECOMMENDED PC-BOARD-HOLES DIAMETER: $\phi 1.20\text{MM}$ TO $\phi 1.40\text{MM}$.
 3. BUCHANAN LOGO TO APPEAR ON HOUSING LOCATION OPTIONAL WHERE SPACE PERMITS.

 WHITE INK MARK.




796734-3 AS SHOWN



2-796734-5

| DIM. A | NO. OF POS. | PART NUMBER |
|--------|-------------|-------------|
| 50.00 | 10 | 2-796734-5 |
| 120.00 | 24 | 2-796734-4 |
| 115.00 | 23 | 2-796734-3 |
| 110.00 | 22 | 2-796734-2 |
| 105.00 | 21 | 2-796734-1 |
| 100.00 | 20 | 2-796734-0 |
| 95.00 | 19 | 1-796734-9 |
| 90.00 | 18 | 1-796734-8 |
| 85.00 | 17 | 1-796734-7 |
| 80.00 | 16 | 1-796734-6 |
| 75.00 | 15 | 1-796734-5 |
| 70.00 | 14 | 1-796734-4 |
| 65.00 | 13 | 1-796734-3 |
| 60.00 | 12 | 1-796734-2 |
| 55.00 | 11 | 1-796734-1 |
| 50.00 | 10 | 1-796734-0 |
| 45.00 | 9 | 796734-9 |
| 40.00 | 8 | 796734-8 |
| 35.00 | 7 | 796734-7 |
| 30.00 | 6 | 796734-6 |
| 25.00 | 5 | 796734-5 |
| 20.00 | 4 | 796734-4 |
| 15.00 | 3 | 796734-3 |
| 10.00 | 2 | 796734-2 |

| | | | | |
|----------------------------------------------------------------------------------|--|---------------------------------|-------------------------------------------------------------------------------------------------------------------------------------------------|---------------|
| THIS DRAWING IS A CONTROLLED DOCUMENT. | | DWN E. ZANOLINI 26JAN01 |  Tyco Electronics Corporation Harrisburg, PA 17105-3608 | |
| DIMENSIONS: MM | | CHK E. ZANOLINI 26JAN01 | | |
| TOLERANCES UNLESS OTHERWISE SPECIFIED: | | APVD D. BIEVENOUR 26JAN01 | NAME | |
| 0 PLC ± - 1 PLC ± 0.3 2 PLC ± 0.25 3 PLC ± - 4 PLC ± - ANGLES ± - | | PRODUCT SPEC | TERMINAL BLOCK PCB MOUNT, STRAIGHT SIDE WIRE ENTRY, LOW PROFILE w/3.5mm pins W/INTERLOCK, 5.00mm PITCH (LT) | |
| MATERIAL | | APPLICATION SPEC | SIZE | RESTRICTED TO |
| FINISH | | WEIGHT | CAGE CODE | DRAWING NO |
| | | CUSTOMER DRAWING | A3 00779 | ©=796734 |
| | | SCALE | SHEET | REV |
| | | NTS | 1 OF 2 | C |

THIS DRAWING IS UNPUBLISHED. RELEASED FOR PUBLICATION
 © COPYRIGHT - BY TYCO ELECTRONICS CORPORATION. ALL RIGHTS RESERVED.

| LOC | DIST | REVISIONS | | | |
|-----|------|-------------|-------------|-----|------|
| P | LTR | DESCRIPTION | DATE | DWN | APVD |
| FT | 0 | C | SEE SHEET 1 | - | - |

1. Application and Features:

- 1-1. Standard sizes are 2 and 3 way-blocks, but every number of contact can be combined, by simply plugging them together and can be ordered as required**
- 1-2. With wire guard for wire protection (for that the screw doesn't press directly on the wire)

2-3. Mechanical:

- 2-3-1. Torque: 4 Kg.cm (Max).
- 2-3-2. Operating temperature: -55°C to +105°C.
- 2-3-3. Solderability: 95% coverage (min).

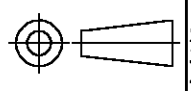
2. Technical Data:

2-1. Material:

- 2-1-1. HOUSING: NY-FR15 UL 94 V-0, (Green).
- 2-1-2. Metal Housing: Brass(Cu Zn)
Cu,Tin plated.
- 2-1-3. Wire guard: Stainless steel.
- 2-1-4. Screw: Steel galvanized and chromitized, M2.6

2-2. Electrical:

- 2-2-1. Current rating: 10 Amps/way max.
- 2-2-2. Contact resistance: 20mΩ (Max).
- 2-2-3. Insulation resistance: 5000MΩ /1000V.
- 2-2-4. Withstanding Voltage: 1500VAC (1min).
- 2-2-5. Operation Voltage: 300 VAC.
- 2-2-6. Wire Range: 14-22 AWG.

| | | | | | |
|---------------------------------------------------------------------------------------|--|---------------------------------|---------------------------------------------------------------------------------------------------------------------------|------------------------|--------------------|
| THIS DRAWING IS A CONTROLLED DOCUMENT. | | DWN E. ZANOLINI 26JAN01 | Tyco Electronics Corporation Harrisburg, PA 17105-3608 | | |
| DIMENSIONS: MM | | CHK E. ZANOLINI 26JAN01 | NAME TERMINAL BLOCK PCB MOUNT, STRAIGHT SIDE WIRE ENTRY, LOW PROFILE w/3.5mm pins W/INTERLOCK, 5.00mm PITCH (LT) | | |
| TOLERANCES UNLESS OTHERWISE SPECIFIED: | | APVD D. BIEVENOUR 26JAN01 | PRODUCT SPEC APPLICATION SPEC | | |
|  | | WEIGHT - | | SIZE A3 | CAGE CODE 00779 |
| MATERIAL - | | FINISH - | | DRAWING NO C-796734 | |
| CUSTOMER DRAWING | | | RESTRICTED TO - | SCALE 1:1 | SHEET 2 OF 2 |
| | | | REV C | | |